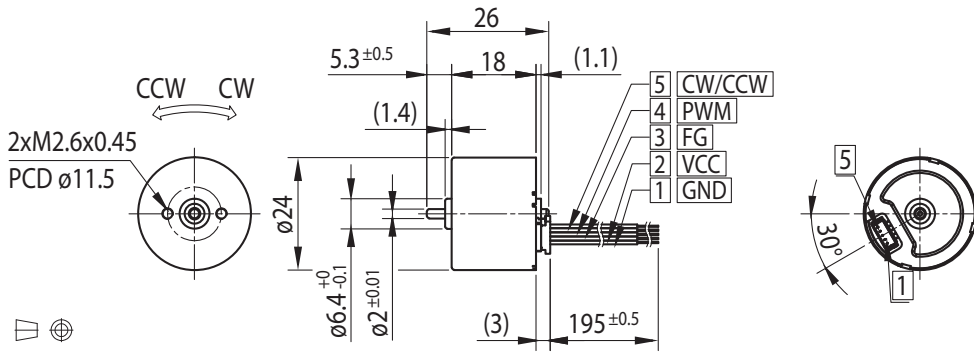
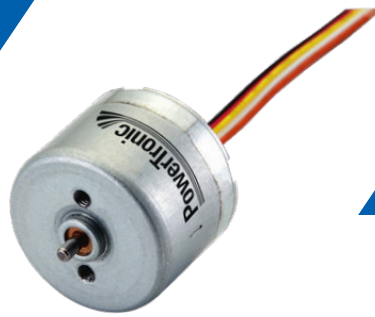


BLDC Motor with Integrated Electronics Type BL24.18-IE



Pin No.	Colour	Function	Wire Spec
1	Black	GND	UL3302 26AWG
2	Red	VCC	
3	Yellow	FG	
4	White	PWM	
5	Orange	CW/CCW	

Motor

Rated Voltage (V)	Rated Torque (Ncm)	Rated Speed (min^{-1})	Rated Current (A)	No Load Speed (min^{-1})	No Load Current (A)	Rated Power (W)	Max. Efficiency (%)	Weight (g)
12	0.3	5340	0.31	7400	0.18	1.65	46	28
24	0.28	6700	0.19	8700	0.14	1.93	48	28

