

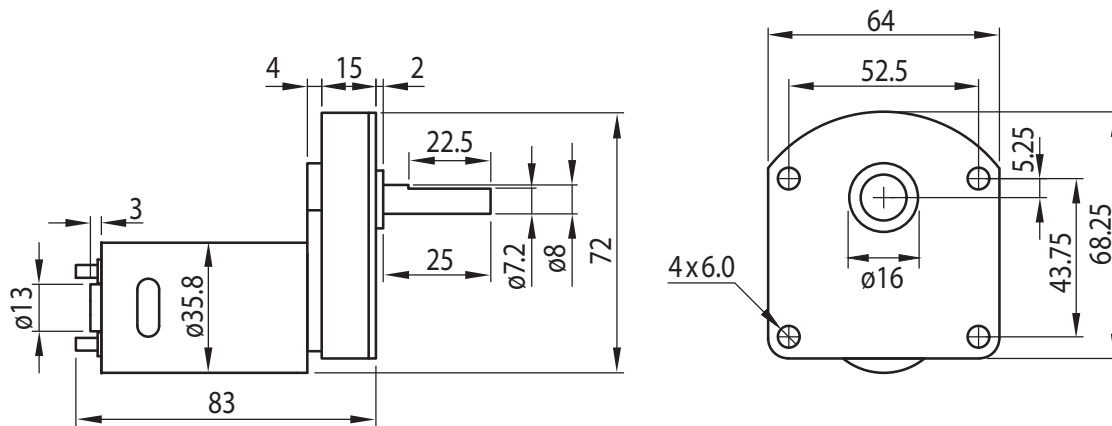
DC Motor Spur Gearbox Type SF64.68-DC36.58



Gearmotor

Gear Ratio	16	19.1	37.3	42
Rated Torque (Ncm)	27	33	64	70
Rated Speed (min ⁻¹)	225	188	96	85

Rel. Humidity: 20 to 85 %
Ambient Temp.: -20 to +80 °C
Net Weight max. 0.28 kg



Motor

Rated Voltage (V)	No Load Speed (min ⁻¹)	No Load Current (A)	Rated Speed (min ⁻¹)	Rated Current (A)	Rated Torque (Ncm)	Rated Power (W)
24	4250	0.09	3600	0.44	2.0	7.5

(Also available as standard: 12 V)

Radial Load (FR): 130 N (10 mm from face mounting)
Axial Load (FA): 50 N

Options

Encoder
Rear Shaft
EMC Filter
Leads
Connector
Special Shaft
Special Voltage